



AMG



THE MERCEDES-AMG  
**GT 4-DOOR COUPÉ**

Effective from February 1<sup>st</sup>, 2022

# WELCOME

Welcome to the latest edition of the Mercedes-AMG GT 4-Door Coupé price list. Here, you can discover everything you wanted to know about the GT 4-Door Coupé.

It's 100% interactive, so you can navigate through its contents at your own pace.



# THE MERCEDES-AMG GT 4-DOOR COUPÉ:

WITH MORE DESIGN, SPORTINESS  
AND PERFORMANCE.

With the model refresh, the Mercedes-AMG GT 4-Door Coupé presents itself as even more desirable with a host of new customisation options. The redesigned front of the V8 styling package testifies at first glance to breathtaking acceleration and outstanding driving characteristics.

Unchanged, the 4-door coupé bridges the gap between the performance vehicles on the one hand and the thoroughbred Mercedes-AMG GT on the other.

Highlights >

---

Lines >

---

Model Prices >

---

Optional Equipment >

---

Technical Data >

THE MERCEDES-AMG GT 4-DOOR COUPÉ

# HIGHLIGHTS





## SPECIAL EDITION.

Show your passion for sporty elegance with the new AMG special edition.

## NEW INDIVIDUALIZATION PROGRAMM.

More personality, more individuality. With the interior and exterior individualization possibilities you can make the AMG GT 4-Door Coupé even more exclusive.





## MERCEDES-AMG GT 63 S E PERFORMANCE.

The Mercedes-AMG GT 63 S E Performance represents the next generation of ultimate high-performance four-door models like no other vehicle.

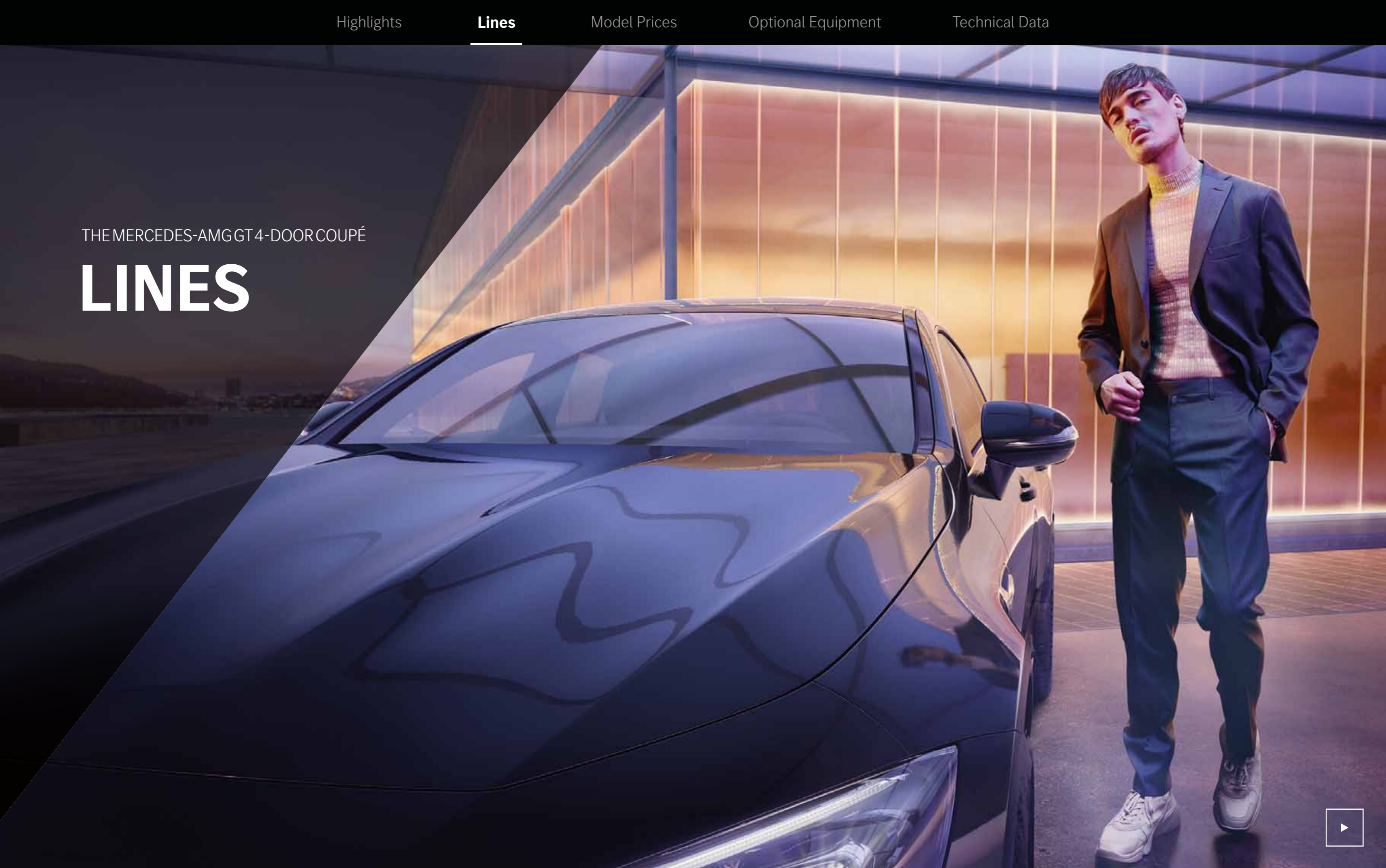
## STATE-OF-THE-ART HYBRID TECHNOLOGY SUPPORTS PROVEN V8 POWER.

A newly developed, ultra-light high-performance battery and a highly modern electric motor, together with the legendary AMG 4.0-litre V8 biturbo producing 470 kW (639 hp), help the AMG GT 63 S E Performance achieve unparalleled longitudinal dynamics




THE MERCEDES-AMG GT 4-DOOR COUPÉ

# LINES



# CHOOSE YOUR MERCEDES-AMG



 **GT 53 4MATIC+**

**320+16 kW** >

19" AMG 5-twin-spoke light-alloy wheels (RSU), AMG Performance exhaust system, selectable (U78), AMG RIDE CONTROL suspension (459), Flat LED tail lights with sequential turn signals, AMG steering wheel buttons (U88), Wireless charging system for mobile devices (897), KeylessGo (P17), 360° camera (501)



 **GT 63 S E PERFORMANCE 4MATIC+**

**470+150 kW** >

20" AMG multi-spoke light-alloy wheels (RVM), AMG high-performance ceramic composite braking system (B07), AMG DYNAMIC PLUS package (P71), AMG performance exhaust system, selectable (U78), Burmester® surround sound system (810), Nappa leather upholstery (800A), Remote and Charging Services Plus (38U), Charging cable for wallbox and public charging station, 5 m, straight (9B2), AMG RIDE CONTROL+ (489), Rear-axle steering (201)



# Standard Equipment

## EXTERIOR

AMG-specific radiator trim

Extendible rear spoiler

Bonnet with powerdomes

Trim element on the front wings in high-gloss chrome

Privacy Glass (840)

MULTIBEAM LED (642) headlamps including Adaptive

Highbeam Assist Plus (628)

Flat LED tail lights with sequential turn signals

EASY-PACK tailgate (890)

Model designation on the front wings and boot lid

AMG illuminated door sills (U45)

## INTERIOR

AMG steering wheel buttons (U88)

MBUX (548) with 31.2 cm (12.3-inch) media display

Widescreen Cockpit (868) with 12.3-inch instrument display and media display beneath a continuous glass panel

Touchpad without Controller (446)

Seat heating for driver and front passenger (873)

Communications module (LTE) for the use of Mercedes me connect services (362)

Navigation Connectivity package (PBF)

## INTERIOR

Mercedes-Benz emergency call system (351)

KEYLESS-GO starting function (P17)

Ambience lighting (891) in 64 colours with 10 colour schemes and 2 effects

Roof liner in black fabric (51U)

Black piano-lacquer-look trim (H80)

AMG DRIVE UNIT in a V8 style with 8 high-resolution display switches, gear selector lever with embossed AMG emblem, large surround in silver chrome and black piano-lacquer look finish in the inner area

Stowage compartment in the front with 12 V socket and armrest with compartment incl. 2 USB ports and SD card slot (30P)

AMG floor mats with "AMG" lettering (U26)

AMG illuminated door sills with ""AMG"" lettering and with exchangeable cover

2 individual seats and stowage compartment in the rear

AMG vehicle key

Seat comfort package (P65)

## TECHNICAL EQUIPMENT

AMG DYNAMIC SELECT (B59) with the drive programs "Slippery", "Comfort", "Sport", "Sport+" and "Individual"

AMG speed-sensitive steering, 3-stage

Active aerodynamics with AIRPANEL in the front apron plus electrically extending rear spoiler

AMG ESP, 3-stage

Parking package with reversing camera (P44)

360 Camera (501)

Mirror package (P49)

Pre-installation for car sharing (20U)

Remote Services Premium (34U)

Blind Spot Assist (234)

Traffic Sign Assist (513)

TIREFIT (B51)

Front airbags for driver and front passenger

Kneebag (294) for driver

Tyre pressure monitoring system (475)

THERMATIC automatic climate control (580)

Automatic front passenger airbag deactivation (U10)

Fuel tank, 80 l/72 l (915/916)

Digital Radio (537)



# GT 53 4MATIC+

**320+16** kW

- 19" AMG 5-twin-spoke light-alloy wheels
- AMG Performance exhaust system, selectable
- AMG RIDE CONTROL suspension
- AMG SPEEDSHIFT TCT 9G
- LED (642) headlamps including Adaptive Highbeam Assist Plus



**GT 53 4MATIC+**

GT 63 S E Performance 4MATIC+

Overview of models



The GT 53 4MATIC+ includes striking MULTIBEAM LED headlights with carbon elements are reminiscent of typical AMG sports cars and emphasise the dynamic character



801A - Nappa leather black



U78 - AMG performance exhaust system, selectable



891 - Ambient lighting



U45 - AMG illuminated door sills with AMG lettering and with exchangeable cover



**GT 53 4MATIC+**

GT 63 S E Performance 4MATIC+

Overview of models

# WHEELS



RSU - 48.3 cm (19") AMG 5-twin-spoke light-alloy wheels - **Standard option 1**



RVA - 48.3 cm (19") AMG 10-spoke light-alloy wheels  
**Standard option 2**



RSV - 48.3 cm (19") AMG 5-twin-spoke light-alloy wheels  
**Optional**



RZU - 50.8 cm (20") AMG 5-twin-spoke light-alloy wheels  
**Optional**



RVM - 50.8 cm (20") AMG multi-spoke light-alloy wheels  
**Optional**



RVO - 50.8 cm (20") AMG 10-twin-spoke light-alloy wheels  
**Optional**



RVN - 50.8 cm (20") AMG multi-spoke light-alloy wheels  
**Optional**



**GT 53 4MATIC+**

GT 63 S E Performance 4MATIC+

Overview of models

# WHEELS



RVP - 50.8 cm (20") AMG 10-twin-spoke light-alloy wheels  
**Optional**



RWD - 53.3 cm (21") AMG cross-spoke forged wheels  
**Optional**



RWI - 53.3 cm (21") AMG 5-twin-spoke forged wheels  
**Optional**



RWE - 53.3 cm (21") AMG cross-spoke forged wheels  
**Optional**



RWC - 53.3 cm (21") AMG 5-twin-spoke forged wheels  
**Optional**



RWK - 53.3 cm (21") AMG 5-twin-spoke forged wheels  
**Optional**



**GT 53 4MATIC+**

GT 63 S E Performance 4MATIC+

Overview of models

# UPHOLSTERY



601A - ARTICO man-made leather DINAMICA microfibre black - **Standard option 2**



801A - Nappa leather black **Standard option 1**



501A - Exclusive nappa leather black - **Optional**



507A - Exclusive nappa leather, two-tone red pepper/black **Optional**



528A - Exclusive nappa leather, two-tone black/titanium grey pearl **Optional**



701A - Exclusive nappa leather DINAMICA microfibre black **Optional**



711A - Exclusive nappa leather DINAMICA microfibre black **Optional**



554A - MANUFAKTUR Exclusive nappa leather, two-tone saddle brown/black **Optional**



564A - MANUFAKTUR Exclusive nappa leather truffle brown /black **Optional**



565A - MANUFAKTUR Exclusive nappa leather macchiato beige / magma grey - **Optional**



**GT 53 4MATIC+**

GT 63 S E Performance 4MATIC+

Overview of models

# UPHOLSTERY



952A - MANUFAKTUR  
Exclusive Nappa leather yacht  
blue / black - **Optional**



954A - MANUFAKTUR  
Exclusive Nappa leather siena  
brown / black - **Optional**



957A - MANUFAKTUR  
Exclusive Nappa leather  
Classic red / black - **Optional**



958A - MANUFAKTUR  
Exclusive Nappa leather  
Neva grey / black - **Optional**



959A - MANUFAKTUR  
Exclusive Nappa leather  
Deep white / black - **Optional**



**GT 53 4MATIC+**

GT 63 S E Performance 4MATIC+

Overview of models

# TRIMS



H80 - Black piano-lacquer-look trim - **Standard**



H73 - AMG carbon-fibre trim  
**Optional**



H77 - AMG matt carbon-fibre trim - **Optional**



H32 - Grey open-pore ash wood trim - **Optional**



H02 - Anthracite open-pore poplar wood trim  
**Optional**





# GT 63 S E PERFORMANCE 4MATIC+

**470+150** kW

- 20" AMG multi-spoke light-alloy wheels
- AMG Performance exhaust system, selectable
- AMG RIDE CONTROL+ suspension
- AMG high-performance ceramic composite braking system
- AMG SPEEDSHIFT MCT 9G
- Burmester® surround sound system
- Nappa leather upholstery
- Rear-axle steering



GT 53 4MATIC+

**GT 63 S E Performance 4MATIC+**

Overview of models



As the first plug-in hybrid from the Mercedes-AMG brand, the GT 63 S E Performance focuses on stylish accents that clearly identify it as an E Performance vehicle.



801A - Nappa Leather upholstery



201 - Rear axle steering



B07 - AMG high-performance ceramic composite braking system



810 - Burmester® surround sound system



GT 53 4MATIC+

**GT 63 S E Performance 4MATIC+**

Overview of models

# WHEELS



RVM - 50.8 cm (20") AMG multi-spoke light-alloy wheels  
**Standard option 1**



RZU - 50.8 cm (20") AMG 5-twin-spoke light-alloy wheels  
**Standard option 2**



RVN - 50.8 cm (20") AMG multi-spoke light-alloy wheels  
**Optional**



RVO - 50.8 cm (20") AMG 10-twin-spoke light-alloy wheels  
**Optional**



RVP - 50.8 cm (20") AMG 10-twin-spoke light-alloy wheels  
**Optional**



RWD - 53.3 cm (21") AMG cross-spoke forged wheels  
**Optional**



RWI - 53.3 cm (21") AMG 5-twin-spoke forged wheels  
**Optional**



RWE - 53.3 cm (21") AMG cross-spoke forged wheels  
**Optional**



RWC - 53.3 cm (21") AMG 5-twin-spoke forged wheels  
**Optional**



RWK - 53.3 cm (21") AMG 5-twin-spoke forged wheels  
**Optional**



GT 53 4MATIC+

**GT 63 S E Performance 4MATIC+**

Overview of models

# UPHOLSTERY



801A - Nappa leather black  
**Standard**



501A - Exclusive nappa leather black - **Optional**



507A - Exclusive nappa leather, two-tone red pepper/black  
**Optional**



528A - Exclusive nappa leather, two-tone black/titanium grey pearl  
**Optional**



701A - Exclusive nappa leather DINAMICA microfibre black  
**Optional**



711A - Exclusive nappa leather DINAMICA microfibre black  
**Optional**



554A - MANUFAKTUR Exclusive nappa leather, two-tone saddle brown/black  
**Optional**



564A - MANUFAKTUR Exclusive nappa leather truffle brown /black  
**Optional**



565A - MANUFAKTUR Exclusive nappa leather macchiato beige / magma grey - **Optional**



GT 53 4MATIC+

**GT 63 S E Performance 4MATIC+**

Overview of models

# UPHOLSTERY



952A - MANUFAKTUR  
Exclusive Nappa leather yacht  
blue / black - **Optional**



954A - MANUFAKTUR  
Exclusive Nappa leather siena  
brown / black - **Optional**



957A - MANUFAKTUR  
Exclusive Nappa leather  
Classic red / black - **Optional**



958A - MANUFAKTUR  
Exclusive Nappa leather  
Neva grey / black - **Optional**



959A - MANUFAKTUR  
Exclusive Nappa leather  
Deep white / black - **Optional**



GT 53 4MATIC+

**GT 63 S E Performance 4MATIC+**

Overview of models

# TRIMS



H80 - Black piano-lacquer-look trim - **Standard**



H73 - AMG carbon-fibre trim  
**Optional**



H77 - AMG matt carbon-fibre trim - **Optional**



H32 - Grey open-pore ash wood trim - **Optional**



H02 - Anthracite open-pore poplar wood trim  
**Optional**



# LINES COMPARISON

	GT 53 4MATIC+	GT 63 S E Performance
<b>EXTERIOR</b>		
Front apron in the vehicle colour with flowing A-wing, front splitter in the vehicle colour, large side air intakes with horizontal louvres in black plus flics in high-gloss black	●	
Broader and deeper front apron in the vehicle colour with jet wing and trim strip in silver chrome, front splitter in the vehicle colour (63 S: silver chrome), large side air intakes with vertical louvres in black		●
Rear apron in the vehicle colour, lower part in black in a diffuser look with trim element in high-gloss black, round twin tailpipe trim elements in high-gloss chrome on the left and right	●	
Broader and deeper rear apron in the vehicle colour, lower part with diffuser and diffuser blade in high-gloss black 63 S: trim strip in silver chrome), trapezoidal twin tailpipe trim elements in high-gloss chrome on the left and right		●
Side skirts in the vehicle colour	●	
Specific side skirts painted in the vehicle colour with inserts in silver chrome		●
AMG light display (588)		●
48.3 cm (19-inch) AMG 10-spoke light-alloy wheels, painted in vanadium silver (RVA)		
48.3 cm (19-inch) AMG 5-twin-spoke light-alloy wheels (RSU)	●	
50.8 cm (20-inch) AMG multi-spoke light-alloy wheels (RVM)		●
Brake callipers painted in silver (B06)	●	
Bronze-painted brake callipers with "AMG Carbon Ceramic" lettering		●
V8 badge on the front wings and boot lid with specific lettering		●
<b>INTERIOR</b>		
AMG Performance steering wheel in nappa leather (L6J)	●	●
AMG sports seats in ARTICO man-made leather / DINAMICA microfibre in black, with contrasting topstitching in crystal grey and bezel in silver chrome with "AMG" lettering	●	
AMG sports seats in black nappa leather with contrasting topstitching in crystal grey and bezel in silver chrome with "AMG" lettering		●
Embossed AMG emblem in the head restraints		●



# LINES COMPARISON

## INTERIOR

	GT 53 4MATIC+	GT 63 S E Performance
AMG instrument cluster incl. AMG main menu with RACE TIMER, analogue round dials with 320 km/h scale	●	
AMG instrument cluster incl. AMG main menu with RACE TIMER, analogue round dials with 360 km/h scale and "Supersport" display style		●
Burmester® surround sound system (810)		●

## TECHNICAL EQUIPMENT

AMG RIDE CONTROL suspension (459)	●	
AMG RIDE CONTROL+ suspension (489)		●
AMG SPEEDSHIFT TCT 9G (421) transmission	●	
AMG SPEEDSHIFT MCT 9G (421) transmission with RACE START function		●
High-performance composite brake system with 360 mm brake disks front and rear	●	
AMG high-performance ceramic composite braking system with 420 mm brake disks at front and 380 mm brake disks at rear		●
AMG rear axle steering (201)		●
AMG rear axle differential lock, electronic (467)		●
AMG DYNAMIC PLUS package (P71)		●
Dynamic AMG engine mounts (466)		●
AMG Performance exhaust system, selectable (U78)	●	●
Charging cable for wallbox and public charging station, 5 m, straight (9B2)		●





THE MERCEDES-AMG GT 4-DOOR COUPÉ

# MODEL PRICES



# PETROL ENGINES

	Model variant number	Power in kW	Displacement in cm <sup>3</sup>	Engine Cylinder	Transmission	Top speed	Acceleration 0-100 km/h (s)	<b>STANDARD EQUIPMENT</b> Price
AMG GT 53 4MATIC+	290.661	320+16 kW	2.999	Petrol L6	<b>AMG SPEEDSHIFT TCT 9G</b>	285	4,5	2.463.000 kr.
AMG GT 63 S E PERFORMANCE 4MATIC+	290.679	470+150 kW	3.982	Petrol V8	<b>AMG SPEEDSHIFT MCT 9G</b>	316	2,9	3.750.000 kr.



THE MERCEDES-AMG GT 4-DOOR COUPÉ

# OPTIONAL EQUIPMENT





# EQUIPMENT PACKAGES

## PREMIUM PACKAGE

(PYN)

[> Learn more](#)

## PREMIUM PLUS PACKAGE

(PYO)

[> Learn more](#)

## AMG NIGHT PACKAGE II

(PAZ)

[> Learn more](#)

## V8 EXTERIOR STYLING PACKAGE

(P90)

[> Learn more](#)

# PREMIUM PACKAGE

(PYN)



- 1** 275 - Memory Package.
- 2** 810 - Burmester® Surround Sound System.
- 3** P82 - URBAN GUARD Vehicle Protection Plus.
- 801A** - Nappa Leather Black.



# PREMIUM PLUS PACKAGE

(PYO)

Premium Package Content



- 1** PBP - ENERGIZING Package.
- 2** 581 - Thermotronic.
- 3** 77B - MBUX Interior Assistant.
- 4** 416 - Panoramic Sunroof.
- 5** 463 - Head-up display.
- 6** 432 - Active Multicontour Seat package.
- 401** - Climatized front seats.



1



2



3



4



5



6



# AMG NIGHT PACKAGE II

(PAZ)

---

- Vertical louvres of the AMG-specific radiator grille in dark chrome.
- Black 4MATIC+ emblem with red "+" on the front wing.
- Mercedes star at rear in black.
- AMG lettering at rear in black.



# V8 EXTERIOR STYLING PACKAGE\*

(P90)



**1** Side sill panels in eight-cylinder look.

**2** Front apron in eight-cylinder look.

**3** Rear apron in eight-cylinder look.

\*Not available for V8 Hybrid.





# Edition "Sophisticated"

(P97)



## EXTERIOR HIGHLIGHTS

- Paintwork in rubellite red (660U)
- AMG Exterior Chrome Package (750)
- V8 Exterior Styling Package (P90) for the six-cylinder models
- 53.3 cm (21-inch) AMG 5-twin-spoke forged wheels (RWI)

## INTERIOR HIGHLIGHTS

- AMG illuminated door sill panels with "AMG" lettering and exchangeable cover (U45) featuring Edition-specific illumination in rubellite red
- Edition badge in the interior
- Seat covers in Exclusive nappa leather in neva grey / black (958A)
- AMG Performance steering wheel in two-tone nappa leather (418) in neva grey / black with AMG steering wheel buttons (U88)
- AMG high-pile floor mats with edging in nappa leather (B62)



# Edition "Unleashed"

(P18)



## EXTERIOR HIGHLIGHTS

- Paintwork in AMG Green Hell Magno (376U)
- AMG sports stripes in black (389)
- AMG Night Package II (PAZ)
- 53.3 cm (21-inch) AMG 5-twin-spoke forged wheels (RWK)

## INTERIOR HIGHLIGHTS

- AMG illuminated door sill panels with "AMG" lettering and exchangeable cover (U45) featuring Edition-specific illumination in rubellite red
- Edition badge in the interior
- Exclusive nappa leather, two-tone black / titanium grey pearl (528A)



# INDIVIDUALIZATION PROGRAMME

INTERIOR



MANUFAKTUR Exclusive nappa leather yacht blue black (952A)



MANUFAKTUR Exclusive nappa leather siena brown black (954A)



MANUFAKTUR Exclusive nappa leather neva grey black (958A)



MANUFAKTUR Exclusive nappa leather deep white black (959A)



MANUFAKTUR Exclusive nappa leather classic red / black (967A)

Contains:

- + AMG high-pile floor mats with edging in nappa leather (B62).
- + AMG Performance steering wheel in two-tone nappa leather (418).
- + Seat covers in Exclusive in two-tone nappa leather.



# INDIVIDUALIZATION PROGRAMME

EXTERIOR

---



**1** AMG sports stripes in silver (388).

**2** AMG sports stripes in black (389).

**3** AMG sports stripes in yellow (U15).



# THE NEW MANUFAKTUR PAINTS



124U - MANUFAKTUR classic grey solid  
**Optional**



255U - MANUFAKTUR olive metallic  
**Optional**



385U - MANUFAKTUR Côte d'Azur light blue metallic  
**Optional**



658U - MANUFAKTUR copper orange magno  
**Optional**



677U - MANUFAKTUR kalahari gold magno  
**Optional**



685U - MANUFAKTUR yellowstone solid  
**Optional**



934U - MANUFAKTUR vintage blue solid  
**Optional**



# PAINTS



149U - Polar white - **Standard**



589U - Jupiter red - **Optional**



Metallic

197U - Obsidian black - **Optional**



Metallic

922U - High-tech silver - **Optional**



Metallic

831U - Graphite grey - **Optional**



Metallic

970U - Spectral blue - **Optional**



Metallic

799U - 799U - MANUFAKTUR diamond white bright **Optional**



MANUFAKTUR

297U - MANUFAKTUR selenite grey magno **Optional**



MANUFAKTUR

593U - MANUFAKTUR spectral blue magno **Optional**



MANUFAKTUR

818U - MANUFAKTUR graphite grey magno **Optional**



MANUFAKTUR

049U - MANUFAKTUR cashmere white magno **Optional**



THE MERCEDES-AMG GT 4-DOOR COUPÉ

# TECHNICAL DATA



# PETROL TECHNICAL DATA

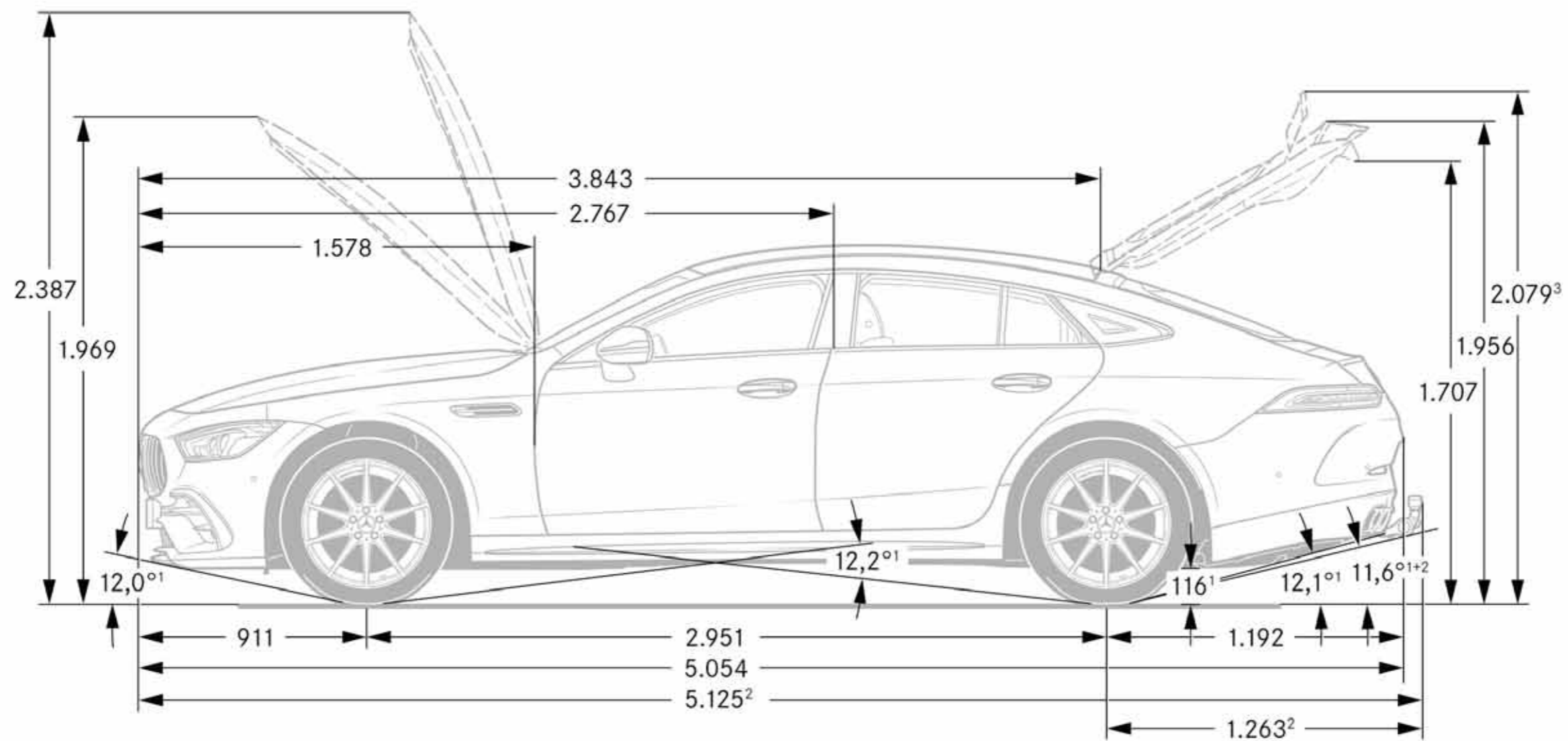
	<b>Mercedes-AMG GT 53 4MATIC+</b>	<b>Mercedes-AMG GT 63 S E Performance</b>
<b>MODEL VARIANT NUMBER</b>	290.661	290.679
<b>ENGINE</b>		
Arrangement of cylinders	L6	V8
Numbers of valves per cylinder	6	8
Displacement (cc)	2.999	3982
Rated output (kW [hp] at rpm)	320 [435]/5.500 - 6.100	470 [639]/5.500 - 6.500
Rated torque (Nm at rpm)	520/1.800 - 5.800	900/2.500 - 4.500
Tank capacity/reserve (l)	80/7	72/10
<b>TRANSMISSION</b>	<u>AMG SPEEDSHIFT TCT 9G</u>	AMG SPEEDSHIFT MCT 9G
<b>DRIVE</b>	<u>4x4</u>	4x4
<b>ELECTRIC DRIVE-TRAIN</b>		
Rated output (peak output) (electric) (kW/hp)	-	150/204
HV battery - energy content installed (kWh)	-	6.1
Rated torque electric motor (peak output) (Nm)	-	300
Top speed in electric mode (km/h)	-	130
Max. AC charging capacity (kW)	-	3,7
<b>PERFORMANCE</b>		
Top speed (km/h)	285	316
Acceleration 0-100 km/h (s)	4,5	2,9
<b>WEIGHTS / LOADS</b>		
Kerb weight/payload (kg)	2.045/505	2.380/380
Maximum roof load (kg)	100	75
Perm. trailer load unbraked/braked [at 12%]/braked [at 8%] (kg)	750/2.100/-	No trailer hitch





# GT 53 4MATIC+ 4-DOOR COUPÉ

## DIMENSIONS



# EXPLORE FURTHER

AND MAKE YOUR DREAMS COME TRUE.





*me*

mercedes-benz.com